



REMAINS LIGHTING COMPANY

VERONIQUE LINEAR 10 CHANDELIER

REMAINS LIGHTING CO. COLLECTION

A solid brass ten-light chandelier in the French Moderne style; its graceful arms run the length of a solid central bar that is suspended from a long, low-profile ceiling canopy. Designed by Steven Sclaroff.

DIMENSIONS

Minimum height: 18-3/4"

Overall: 29" w. x 11-7/8" d.

Canopy: 3/4" h. x 24-1/8" w. x 4-3/4" d.

APPLICATION

UL listed for use in dry environments

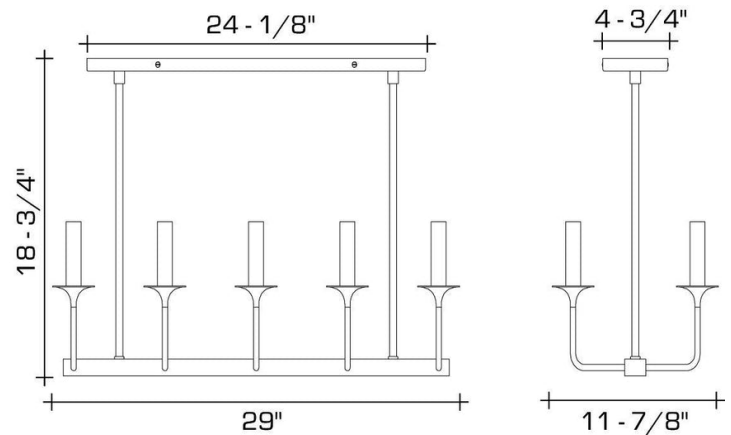
LAMPING

10 candelabra sockets, maximum 60 watts per socket

OPTIONS

Custom heights available.

Contact us to learn more about customization options.



AVAILABLE FINISHES

\$6350 Polished Brass

\$6730 Burnished Brass, Burnished Nickel, Dark Waxed Bronze, Polished Nickel

\$6985 Antique Brass, Dark Pewter, German Silver, Light Pewter, Oil Rubbed Bronze, Satin Nickel