

**THOMASTON STATION EXTERIOR
WALL LANTERN MEDIUM**

SCOFIELD LIGHTING COLLECTION

A four sided copper wall lantern with mirrored curved roof and bottom details. This stately version of an 18th century French railroad station lantern offers a transitional style appropriate for both period and modern exteriors. Designed and manufactured by Scofield Lighting.

DIMENSIONS

Overall: 17-3/4" h. x 10" w. x 7" d.

APPLICATION

UL listed for use in dry, damp, or wet environments.

LAMPING

Single Edison socket, maximum 100 watts
Also available with 2 Candelabra sockets

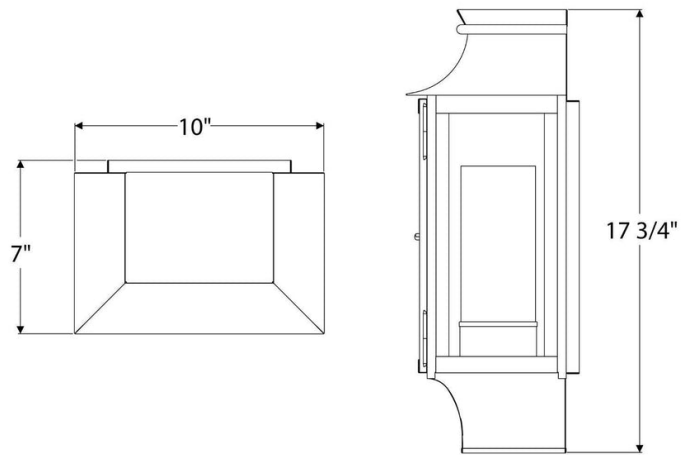
OPTIONS

Download our Finish Guide to view standard product options.

Candelabra cluster lamping available.

Alternate reflector options available.

Contact us to learn more about customization options.



AVAILABLE FINISHES

\$2145 Natural Copper

\$2415 Black Lacquer, Bronze Lacquer, Bronzed Copper

\$2615 Brushed Bronzed Copper, Oxidized Copper