

**THOMASTON STATION EXTERIOR
POST LANTERN**

SCOFIELD LIGHTING COLLECTION

A four sided copper post lantern with mirrored curved roof and bottom details. This stately version of an 18th century French railroad station lantern offers a transitional style appropriate for both period and modern exteriors. Designed and manufactured by Scofield Lighting.

DIMENSIONS

Overall: 24-1/4" h. x 12" w. x 12" d.

APPLICATION

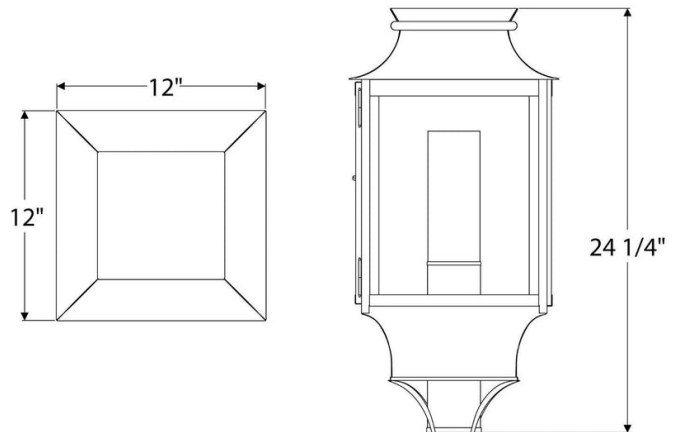
UL listed for use in dry, damp, or wet environments.

LAMPING

Single Edison socket, maximum 100 watts
Also available with 3 Candelabra sockets

OPTIONS

Download our Finish Guide to view standard product options.
Candelabra cluster lamping available.
Contact us to learn more about customization options.



AVAILABLE FINISHES

\$2425 Natural Copper

\$2655 Bronzed Copper

\$2800 Oxidized Copper