

## SPUN BOBECHE SCONCE

### SCOFIELD LIGHTING COLLECTION

A tin wall sconce with egg shaped backplate with decorative hand-cut finial, matching bobèche, and tulip form armback. 23K gold leaf details on backplate decoration and candle cups is available. New England, 18th century. Designed and manufactured by Scofield Lighting.

### DIMENSIONS

Overall: 10-1/2" h. x 4-1/2" w. x 10" d.

### APPLICATION

UL listed for use in dry or damp environments.

### LAMPING

Single Candelabra socket, maximum 60 watts  
B10 Candelabra torpedo bulb recommended

### JUNCTION BOX

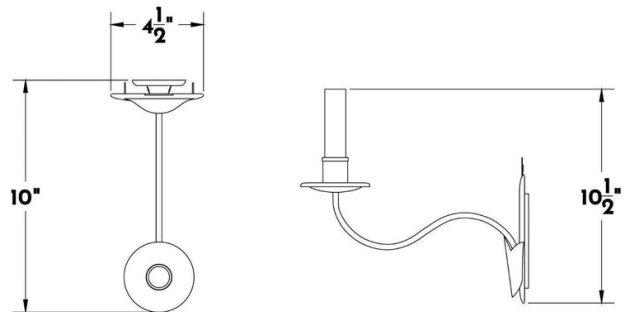
2" x 3" Vertical junction box

### OPTIONS

Download our Finish Guide to view standard product options.

LED bulb (maximum 6 watts) recommended with optional wax sleeves.

Contact us to learn more about customization options.



### AVAILABLE FINISHES

\$850 Aged Tin