



REMAINS LIGHTING COMPANY

SORENSEN 14 WALL LANTERN

REMAINS LIGHTING CO. COLLECTION

A thick clear or milk white glass globe is wrapped in handwoven wire fabric and mounted to a cove-detailed wall bracket to form this versatile wall lantern. Sorenson references historical netted glass factory lighting and each mouth-blown globe has slight, unique variations due to the hand-made nature of the glass and netting.

DIMENSIONS

Overall: 22-1/4" h. x 14" w. x 17-1/4" d.

Backplate: 11-7/8" h. x 4-1/2" w.

APPLICATION

UL listed for use in dry environments

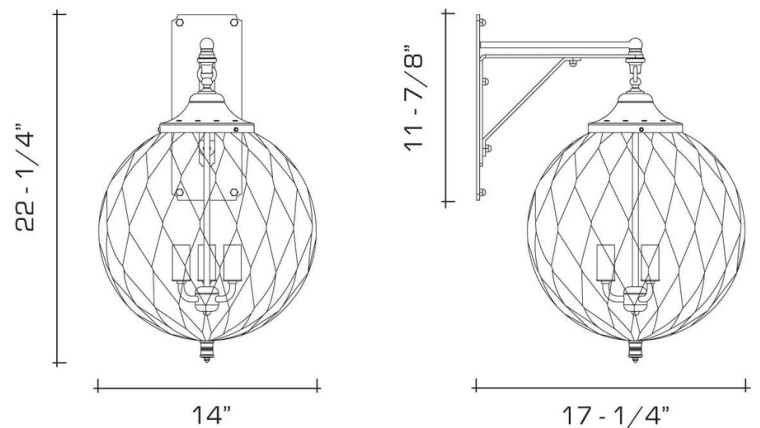
LAMPING

3 candelbra sockets, maximum 60 watts per socket

Also available with single Edison socket

OPTIONS

Contact us to learn more about customization options.



AVAILABLE FINISHES

\$3750 Polished Brass

\$4175 Burnished Brass, Burnished Nickel, Dark Waxed Bronze, Polished Nickel

\$4380 Antique Brass, Dark Pewter, German Silver, Light Pewter, Oil Rubbed Bronze, Satin Nickel