

PHILADELPHIA EXTERIOR POST LANTERN SMALL

SCOFIELD LIGHTING COLLECTION

An eight sided tapered copper and glass post lantern with decorative chimney. Ben Franklin's early experience in his father's soap and candle shop led to his invention of a two wick tube that greatly increased the power of lantern light in 1751. Based on street lanterns that lit Philadelphia. Late 18th - early 19th century. Designed and manufactured by Scofield Lighting.

DIMENSIONS

Overall: 24" h. x 12" w. x 12" d.

APPLICATION

UL listed for use in dry, damp, or wet environments.

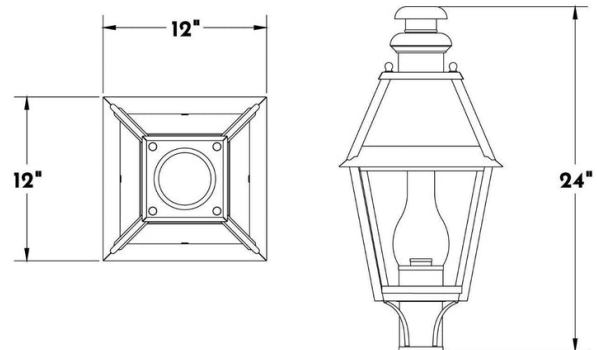
LAMPING

Single Edison socket, maximum 100 watts
Also available with single candelabra socket

OPTIONS

Download our Finish Guide to view standard product options.

Contact us to learn more about customization options.



AVAILABLE FINISHES

\$2030 Natural Copper

\$2175 Bronzed Copper

\$2320 Oxidized Copper