



REMAINS LIGHTING COMPANY

PAUL 13 EXTERIOR WALL LANTERN

REMAINS LIGHTING CO. COLLECTION

A slightly tapered four-sided wall mounted lantern with single curved vaulted roof, crafted from robust cut-brass panels and subtly detailed with sharp corner mullions that step slightly proud of the body.

DIMENSIONS

Overall: 22-7/8" h. x 12" w. x 16-1/4" d.

Backplate: 12" h. x 4-1/2" w.

APPLICATION

UL listed for use in dry, damp, or wet environments.

LAMPING

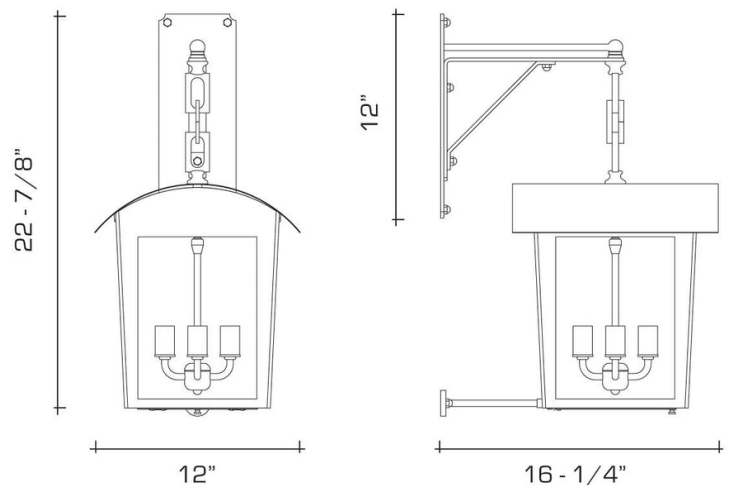
4 Candelabra sockets, maximum 60 watts per socket

Also available with single Edison or GU24 socket

OPTIONS

Optional bottom door also available.

Contact us to learn more about customization options.



AVAILABLE FINISHES

\$7725 Polished Brass

\$8450 Burnished Brass, Burnished Nickel, Dark Waxed Bronze, Polished Nickel

\$8765 Antique Brass, Dark Pewter, German Silver, Light Pewter, Oil Rubbed Bronze, Satin Nickel, Verdigris