



REMAINS LIGHTING COMPANY

**NEW ENGLAND BARN EXTERIOR POST LANTERN MEDIUM**

**SCOFIELD LIGHTING COLLECTION**

A four sided exterior copper post lantern with curved top inspired by Richard Scofield’s reproductions of museum pieces drawn from 18th century New England to be mounted on an existing post. Pier mounts are also available. Designed and manufactured by Scofield Lighting.

**DIMENSIONS**

Overall: 23-1/2" h. x 8-1/2" w. x 8-1/2" d.

**APPLICATION**

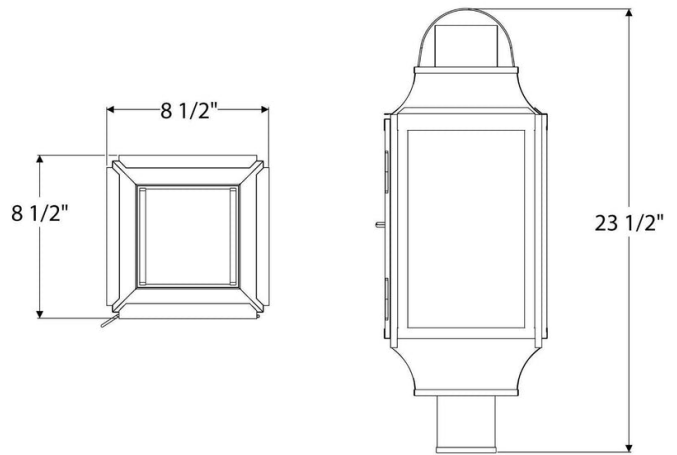
UL listed for use in dry, damp, or wet environments.

**LAMPING**

Single Edison socket, maximum 100 watts  
Also available with 3 Candelabra sockets

**OPTIONS**

Download our Finish Guide to view standard product options.  
Candelabra cluster lamping available.  
Contact us to learn more about customization options.



**AVAILABLE FINISHES**

- \$2230 Natural Copper
- \$2310 Bronzed Copper
- \$2470 Oxidized Copper