



REMAINS LIGHTING COMPANY

MARLOWE MIRROR

REMAINS LIGHTING CO. COLLECTION

A rectangular mirror whose sleek, unadorned bronze legs join in crisp jewelry-cast corners with clean, expressed domed fasteners.

DIMENSIONS

Overall: 26" h. x 19" w. x 1" d.

Mounting Type: Screws

Specify portrait or landscape orientation.

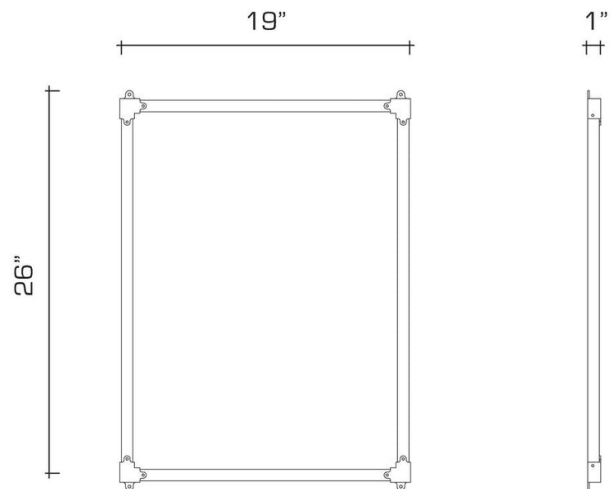
OPTIONS

Additional standard sizes:

32-1/4" h. x 21-1/4" w. x 1" d.

38-1/4" h. x 25-1/4" w. x 1" d.

Also available in custom sizes. Contact us to learn more about customization options.



AVAILABLE FINISHES

\$2930 Polished Bronze

\$3185 Burnished Bronze, Burnished Nickel, Dark Waxed Bronze, Polished Nickel

\$3445 Antique Bronze, Dark Pewter, German Silver, Light Pewter, Oil Rubbed Bronze, Satin Nickel