



REMAINS LIGHTING COMPANY

MACCI TWIN SCONCE

REMAINS LIGHTING CO. COLLECTION

A double arm torchiere sconce made of solid brass. The long, tapered columns of the Macchi sconce end in wide cups over necks with bead knurl detailing. The twin arms are joined in a cylindrical coupling in front of the shallow, gently flaring backplate. This fixture's design finds its inspiration in the M.C.72, holder of the world record for the fastest piston-engined seaplane.

DIMENSIONS

Overall: 17-1/8" h. x 11-3/8" w. x 3-7/8" d.

Backplate: 5" diameter

APPLICATION

UL listed for use in dry environments

LAMPING

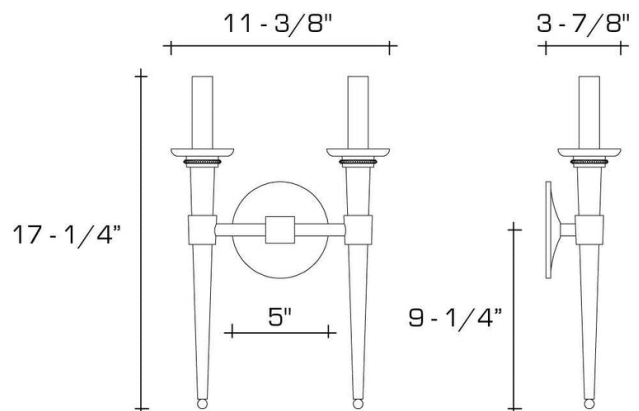
2 Candelabra sockets, maximum 60 watts per socket

JUNCTION BOX

2" x 3" Vertical junction box recommended

OPTIONS

Contact us to learn about customization options



AVAILABLE FINISHES

\$2125 Polished Brass

\$2340 Burnished Brass, Burnished Nickel, Dark Waxed Bronze, Polished Nickel

\$2500 Antique Brass, Dark Pewter, German Silver, Light Pewter, Oil Rubbed Bronze, Satin Nickel