



REMAINS LIGHTING COMPANY

LENA 2 SCONCE

REMAINS LIGHTING CO. COLLECTION

A tall and slender double-arm sconce in solid brass with a long tapered teardrop finial and pendant issuing from the armback. The fluted arms have scrolled tails and broaden at the tips. Based on a 19th-century chandelier design.

DIMENSIONS

Overall: 19-3/8" h. x 9" w. x 8" d.

Backplate: 6-3/8" h. x 2-5/8" w.

APPLICATION

UL listed for use in dry environments

LAMPING

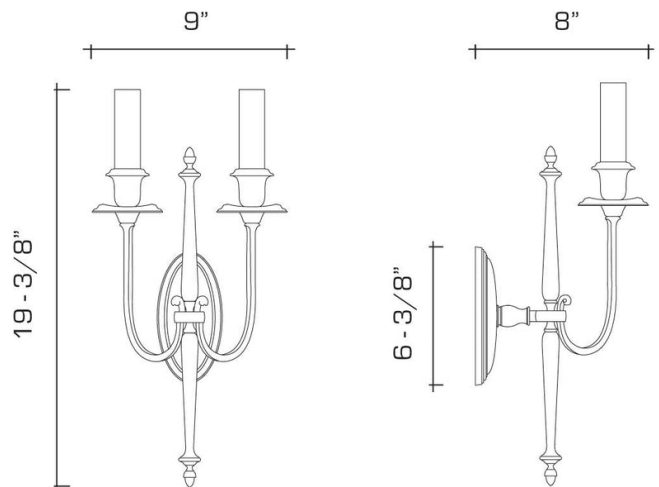
2 candelabra sockets, maximum 60 watts per socket

JUNCTION BOX

2" x 3" vertical junction box required

OPTIONS

Contact us to learn more about customization options.



AVAILABLE FINISHES

\$2940 Polished Brass

\$3350 Burnished Brass, Burnished Nickel, Dark Waxed Bronze, Polished Nickel

\$3550 Antique Brass, Dark Pewter, German Silver, Light Pewter, Oil Rubbed Bronze, Satin Nickel