



REMAINS LIGHTING COMPANY

HOWARD SCONCE

REMAINS LIGHTING CO. COLLECTION

A torchiere form single arm sconce with polished round backplate. The beaded banding around the backplate is repeated on the waxpan and arm, which terminates in a ball foot. These details were inspired by the rivet patterns and the cowled wheels of the Howard Aircraft Co.'s DGA 8 and 11s, among the most luxurious (and expensive) private planes of the 1930s.

DIMENSIONS

Overall: 12-3/4" h. x 5" w. x 4" d.

Backplate: 5" h. x 5" w.

APPLICATION

UL listed for use in dry environments

LAMPING

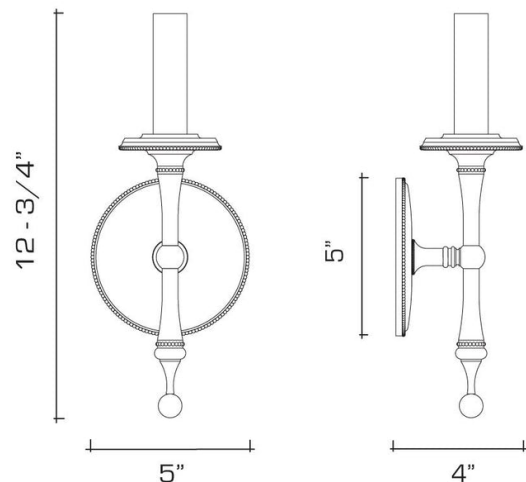
Single Candelabra socket, maximum 60 watts

JUNCTION BOX

2" x 3" Vertical junction box recommended

OPTIONS

Contact us to learn more about customization options.



AVAILABLE FINISHES

\$1525 Polished Brass

\$1715 Burnished Brass, Burnished Nickel, Dark Waxed Bronze, Polished Nickel

\$1805 Antique Brass, Dark Pewter, German Silver, Light Pewter, Oil Rubbed Bronze, Satin Nickel