



REMAINS LIGHTING COMPANY

ERIC MIRROR

REMAINS LIGHTING CO. COLLECTION

Our rectangular Eric Mirror is framed by clean lines of solid bronze and jewelry cast corners, featuring traditional, tailored coves and delicate step details. Available in three standard sizes with a choice of vertical or horizontal orientation.

DIMENSIONS

Overall: 26" h. x 20" w. x 1" d.

Mounting Type: D rings

Specify portrait or landscape orientation.

OPTIONS

Additional standard sizes:

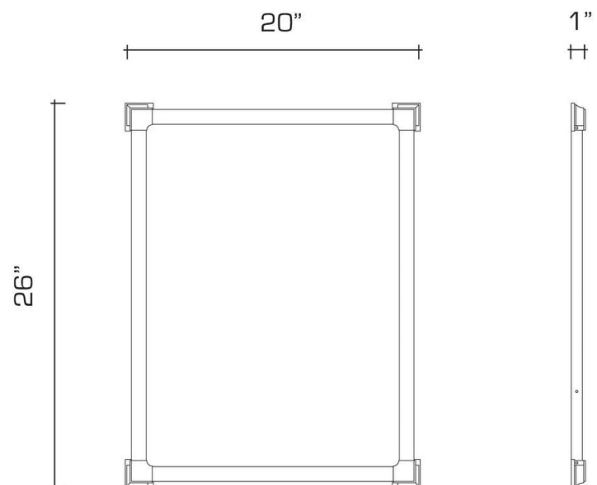
26" h. x 20" w. x 1" d.

32" h. x 22" w. x 1" d.

38" h. x 26" w. x 1" d.

Also available in custom sizes.

Contact us to learn more about customization options.



AVAILABLE FINISHES

\$3245 Polished Bronze

\$3505 Burnished Bronze, Burnished Nickel, Dark Waxed Bronze, Polished Nickel

\$3770 Antique Bronze, Dark Pewter, German Silver, Light Pewter, Oil Rubbed Bronze, Satin Nickel