



REMAINS LIGHTING COMPANY

EDWARD SCONCE

REMAINS LIGHTING CO. COLLECTION

A solid brass single-arm torchiere sconce with a banded column and chamfered octagonal backplate.

DIMENSIONS

Overall: 9" h. x 4-5/8" w. x 4" d.

Backplate: 4-5/8" h. x 4-5/8" w.

APPLICATION

UL listed for use in dry environments

LAMPING

Single candelabra socket, maximum 60 watts

Also available with single GU24 socket

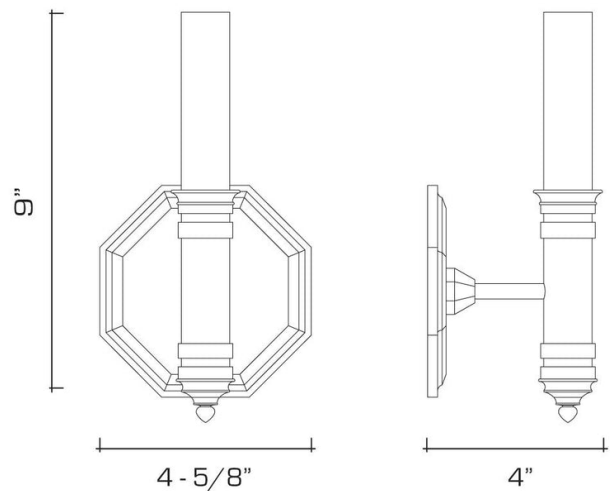
B10 Candelabra torpedo bulb recommended

JUNCTION BOX

2" x 3" vertical junction box recommended

OPTIONS

Contact us to learn more about customization options.



AVAILABLE FINISHES

\$1475 Polished Brass

\$1715 Burnished Brass, Burnished Nickel, Dark Waxed Bronze, Polished Nickel

\$1860 Antique Brass, Dark Pewter, German Silver, Light Pewter, Oil Rubbed Bronze, Satin Nickel