

**EDISON STYLE WALL PENDANT  
SMALL**

**SCOFIELD LIGHTING COLLECTION**

This classic conical shade wall pendant takes inspiration from the original Victorian Edison type fixture of 1880. With the introduction of the first light bulb in 1879, the world's fascination with the source of light took on new heights. Aged tin finish provided with off white painted interior. Designed and manufactured by Scofield Lighting.

**DIMENSIONS**

Overall: 15-3/4" h. x 12" w. x 13" d.

**APPLICATION**

UL listed for use in dry or damp environments.

**LAMPING**

Single Edison socket, maximum 100 watts

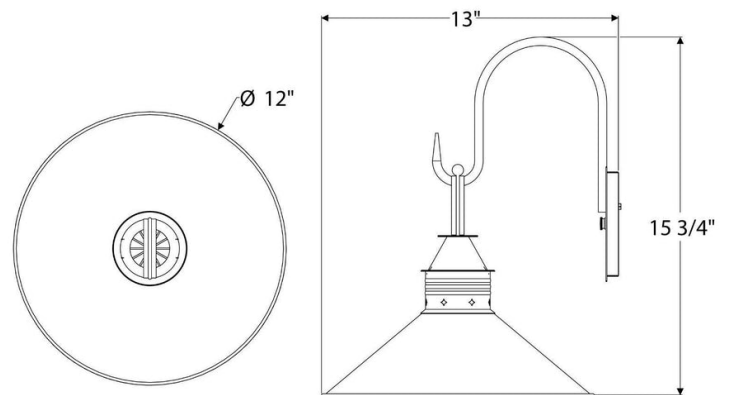
**JUNCTION BOX**

2" x 3" Vertical junction box

**OPTIONS**

Download our Finish Guide to view standard product options.

Contact us to learn more about customization options.



**AVAILABLE FINISHES**

\$1705 Aged Tin

\$1795 Natural Copper

\$1890 Bronzed Copper

\$2050 Oxidized Copper