

**EDISON STYLE WALL PENDANT
MEDIUM**

SCOFIELD LIGHTING COLLECTION

This classic conical shade wall pendant takes inspiration from the original Victorian Edison type fixture of 1880. With the introduction of the first light bulb in 1879, the world's fascination with the source of light took on new heights. Aged tin finish provided with off white painted interior. Designed and manufactured by Scofield Lighting.

DIMENSIONS

Overall: 18-7/8" h. x 15-1/4" w. x 16-7/8" d.

APPLICATION

UL listed for use in dry or damp environments.

LAMPING

Single Edison socket, maximum 100 watts

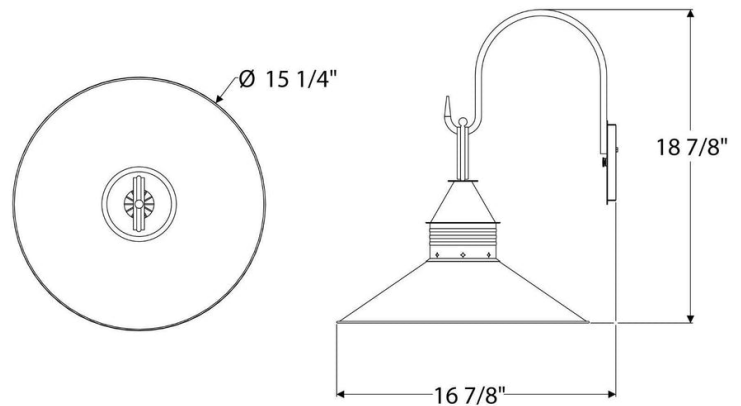
JUNCTION BOX

2" x 3" Vertical junction box

OPTIONS

Download our Finish Guide to view standard product options.

Contact us to learn more about customization options.



AVAILABLE FINISHES

- \$1745 Aged Tin
- \$1825 Natural Copper
- \$1905 Bronzed Copper
- \$2085 Oxidized Copper