

**BOSTON EXTERIOR POST LANTERN  
MEDIUM**

**SCOFIELD LIGHTING COLLECTION**

This copper four-sided tapered post lantern with eight panels of glass and conical finial cap is inspired by Boston street lighting typical to late 18th - early 19th century. Designed and manufactured by Scofield Lighting.

**DIMENSIONS**

Overall: 37-1/2" h. x 14" w. x 14" d.

**APPLICATION**

UL listed for use in dry, damp, or wet environments.

**LAMPING**

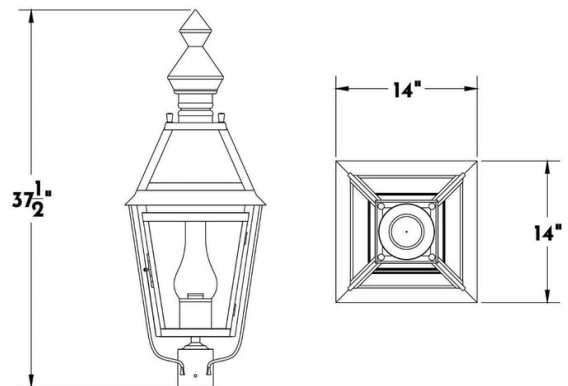
Single Edison socket, maximum 100 watts  
Also available with 3 Candelabra sockets

**OPTIONS**

Download our Finish Guide to view standard product options.

Candelabra cluster lamping available.

Contact us to learn more about customization options.



**AVAILABLE FINISHES**

\$2890 Natural Copper

\$3040 Bronzed Copper

\$3175 Oxidized Copper