

**BOSTON EXTERIOR POST LANTERN
MEDIUM**

SCOFIELD LIGHTING COLLECTION

This copper four-sided tapered post lantern with eight panels of glass and conical finial cap is inspired by Boston street lighting typical to late 18th - early 19th century. Designed and manufactured by Scofield Lighting.

DIMENSIONS

Overall: 37-1/2" h. x 14" w. x 14" d.

APPLICATION

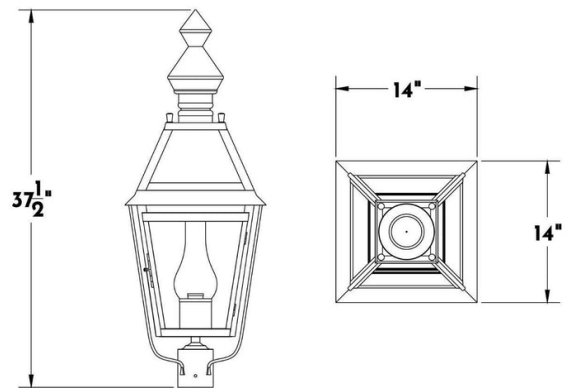
UL listed for use in dry, damp, or wet environments.

LAMPING

Single Edison socket, maximum 100 watts
Also available with 3 Candelabra sockets
B11 Edison bulb recommended

OPTIONS

Download our Finish Guide to view standard product options.
Candelabra cluster lamping available.
Contact us to learn more about customization options.



AVAILABLE FINISHES

\$2890 Natural Copper

\$3040 Black Lacquer, Bronze Lacquer, Bronzed Copper

\$3175 Brushed Bronzed Copper, Oxidized Copper