



# REMAINS LIGHTING COMPANY

## VICKERS TWIN SCONCE

### REMAINS LIGHTING CO. COLLECTION

This solid brass double-arm sconce has a delicate bevel on its backplate, creating a bullseye effect. The two slender arms hold wide and shallow waxpans.

### DIMENSIONS

Overall: 12" h. x 6-7/8" w. x 3-3/4" d.

Backplate: 5-1/2" diameter

### APPLICATION

UL listed for use in dry environments

### LAMPING

2 Candelabra sockets, maximum 60 watts per socket

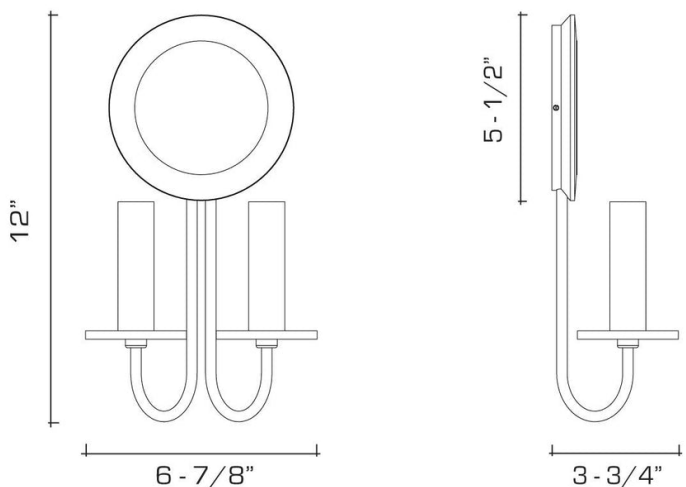
B10 Candelabra torpedo bulb recommended

### JUNCTION BOX

2" x 3" Vertical junction box recommended

### OPTIONS

Contact us to learn more about customization options.



### AVAILABLE FINISHES

\$1490 Polished Brass

\$1745 Burnished Brass, Burnished Nickel, Dark Waxed Bronze, Polished Nickel

\$1890 Antique Brass, Dark Pewter, German Silver, Light Pewter, Oil Rubbed Bronze, Satin Nickel