



# REMAINS LIGHTING COMPANY

## VERONIQUE LINEAR 10 CHANDELIER

### REMAINS LIGHTING CO. COLLECTION

A solid brass ten-light chandelier in the French Moderne style; its graceful arms run the length of a solid central bar that is suspended from a long, low-profile ceiling canopy. Designed by Steven Sclaroff.

### DIMENSIONS

Minimum height: 18-3/4"

Overall: 29" w. x 11-7/8" d.

Canopy: 3/4" h. x 24-1/8" w. x 4-3/4" d.

### APPLICATION

UL listed for use in dry environments

### LAMPING

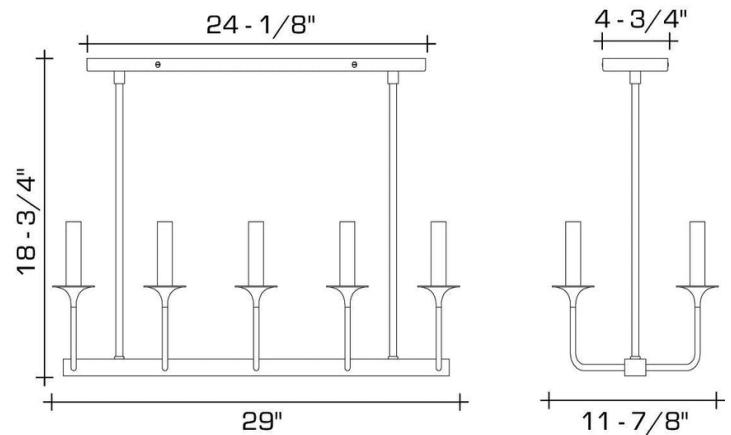
10 candelabra sockets, maximum 60 watts per socket

B10 Candelabra torpedo bulb recommended

### OPTIONS

Custom heights available.

Contact us to learn more about customization options.



### AVAILABLE FINISHES

\$6350 Polished Brass

\$6730 Burnished Brass, Burnished Nickel, Dark Waxed Bronze, Polished Nickel

\$6985 Antique Brass, Dark Pewter, German Silver, Light Pewter, Oil Rubbed Bronze, Satin Nickel