

THREE SIDED WALL LANTERN LARGE

SCOFIELD LIGHTING COLLECTION

A three sided glass and metal wall lantern, inspired by an example found in Massachusetts, circa 1830s. Designed and manufactured by Scofield Lighting.

DIMENSIONS

Overall: 21-7/8" h. x 10-3/4" w. x 9-1/2" d.

APPLICATION

UL listed for use in dry or damp environments.

LAMPING

Single Edison socket, maximum 100 watts
Also available with single Candelabra socket

JUNCTION BOX

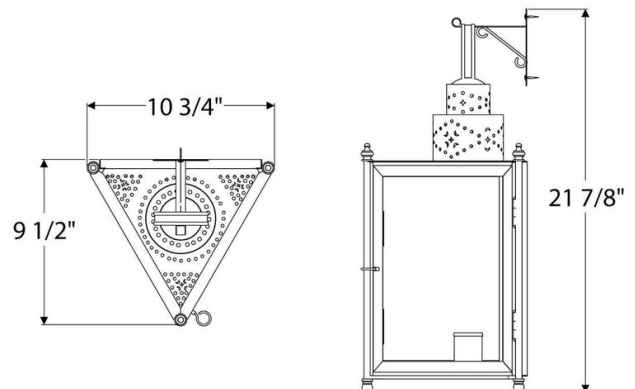
2" x 3" Vertical junction box

OPTIONS

Download our Finish Guide to view standard product options.

Candelabra lamping available.

Contact us to learn more about customization options.



AVAILABLE FINISHES

\$2390 Aged Tin