



REMAINS LIGHTING COMPANY

THREE SIDED WALL LANTERN LARGE

SCOFIELD LIGHTING COLLECTION

A three sided glass and metal wall lantern, inspired by an example found in Massachusetts, circa 1830s. Designed and manufactured by Scofield Lighting.

DIMENSIONS

Overall: 21-7/8" h. x 10-3/4" w. x 9-1/2" d.

APPLICATION

UL listed for use in dry or damp environments.

LAMPING

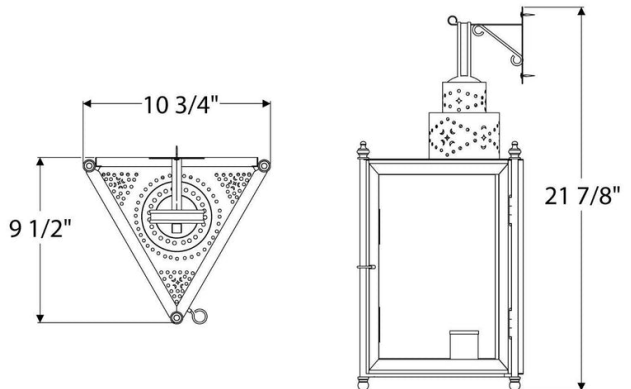
Single Edison socket, maximum 100 watts
Also available with single Candelabra socket
B11 Edison torpedo bulb recommended

JUNCTION BOX

2" x 3" Vertical junction box

OPTIONS

Download our Finish Guide to view standard product options.
Candelabra lamping available.
Contact us to learn more about customization options.



AVAILABLE FINISHES

\$2390 Aged Tin