



REMAINS LIGHTING COMPANY

### THREE CORNERED EXTERIOR WALL LANTERN

#### SCOFIELD LIGHTING COLLECTION

A three sided glass and copper wall lantern, inspired by an example found in Massachusetts, circa 1830s. Designed and manufactured by Scofield Lighting.

#### DIMENSIONS

Overall: 14" h. x 8-1/2" w. x 8-1/2" d.

#### APPLICATION

UL listed for use in dry, damp, or wet environments.

#### LAMPING

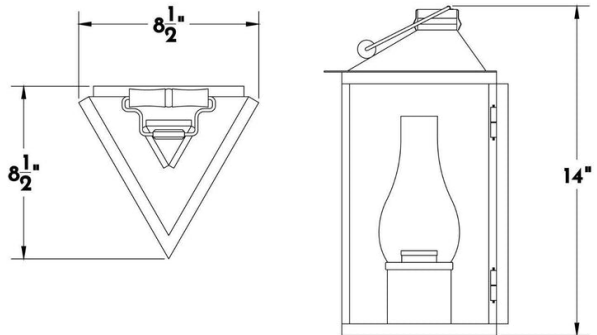
Single Edison socket, maximum 100 watts  
Also available with single Candelabra socket  
B11 Edison torpedo bulb recommended

#### JUNCTION BOX

2" x 3" Vertical junction box

#### OPTIONS

Download our Finish Guide to view standard product options.  
Contact us to learn more about customization options.



#### AVAILABLE FINISHES

\$2045 Natural Copper

\$2220 Black Lacquer, Bronze Lacquer, Bronzed Copper

\$2370 Brushed Bronzed Copper, Oxidized Copper