

**THOMASTON STATION EXTERIOR
POST LANTERN LARGE**

SCOFIELD LIGHTING COLLECTION

A four sided copper post lantern with mirrored curved roof and bottom details. This stately version of an 18th century French railroad station lantern offers a transitional style appropriate for both period and modern exteriors. Designed and manufactured by Scofield Lighting.

DIMENSIONS

Overall: 24-1/4" h. x 12" w. x 12" d.

APPLICATION

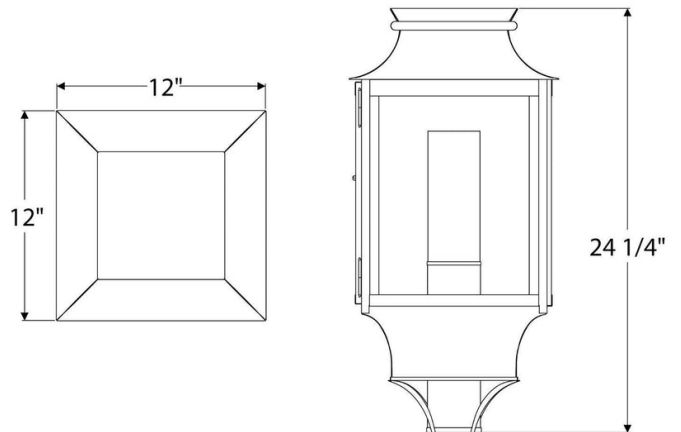
UL listed for use in dry, damp, or wet environments.

LAMPING

Single Edison socket, maximum 100 watts
Also available with 3 Candelabra sockets
B11 Edison torpedo bulb recommended

OPTIONS

Download our Finish Guide to view standard product options.
Candelabra cluster lamping available.
Contact us to learn more about customization options.



AVAILABLE FINISHES

\$2595 Natural Copper

\$2840 Black Lacquer, Bronze Lacquer, Bronzed Copper

\$2995 Brushed Bronzed Copper, Oxidized Copper