



# REMAINS LIGHTING COMPANY

## TABLE LANTERN

### COMMUNE COLLECTION

A table lantern with finely crafted solid brass body featuring a brass mesh insert and opal cylinder glass shade with a black rocker switch on the cord. Commune's collection for Remains Lighting is inspired by Viennese Secession, French 1950's and Milanese Modernist designs as seen through a California lens.

### DIMENSIONS

Overall: 10-3/4" h. x 9-13/16" diameter  
Shade: 5" h. x 3" diameter  
Base: 5-1/2" diameter  
Glass: 3" diameter

### APPLICATION

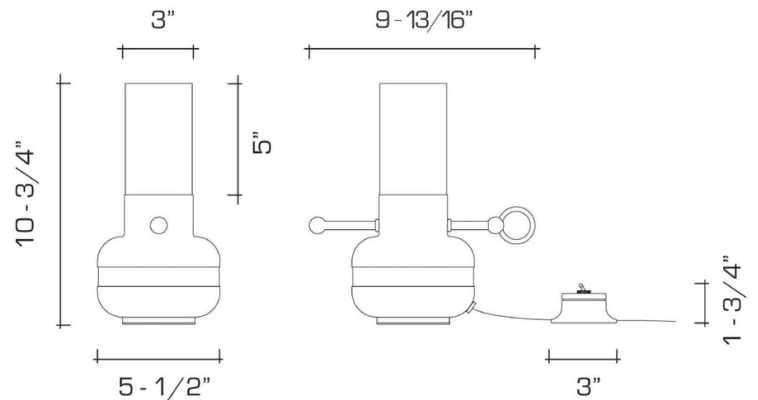
UL listed for use in dry environments

### LAMPING

Single Edison socket, maximum 75 watts  
T6 Edison tube bulb recommended

### OPTIONS

Additional finishes available upon request.  
Contact us to learn more about customization options.



### AVAILABLE FINISHES

\$2315 Polished Brass

\$2540 Dark Waxed Bronze, Polished Nickel