



REMAINS LIGHTING COMPANY

TABLE LANTERN

COMMUNE COLLECTION

A table lantern with finely crafted solid brass body featuring a brass mesh insert and opal cylinder glass shade with a black rocker switch on the cord. Commune's collection for Remains Lighting is inspired by Viennese Secession, French 1950's and Milanese Modernist designs as seen through a California lens.

DIMENSIONS

Overall: 10-3/4" h. x 9-13/16" diameter
Shade: 5" h. x 3" diameter
Base: 5-1/2" diameter
Glass: 3" diameter

APPLICATION

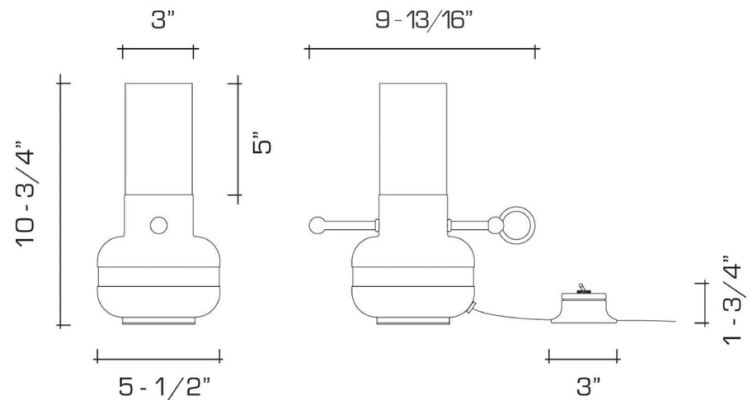
UL listed for use in dry environments

LAMPING

Single Edison socket, maximum 75 watts

OPTIONS

Additional finishes available upon request.
Contact us to learn more about customization options.



AVAILABLE FINISHES

\$2315 Polished Brass

\$2540 Dark Waxed Bronze, Polished Nickel