

SPUN BOBECHE SCONCE

SCOFIELD LIGHTING COLLECTION

A tin wall sconce with egg shaped backplate with decorative hand-cut finial, matching bobèche, and tulip form armback. 23K gold leaf details on backplate decoration and candle cups is available. New England, 18th century. Designed and manufactured by Scofield Lighting.

DIMENSIONS

Overall: 10-1/2" h. x 4-1/2" w. x 10" d.

APPLICATION

UL listed for use in dry or damp environments.

LAMPING

Single Candelabra socket, maximum 60 watts

JUNCTION BOX

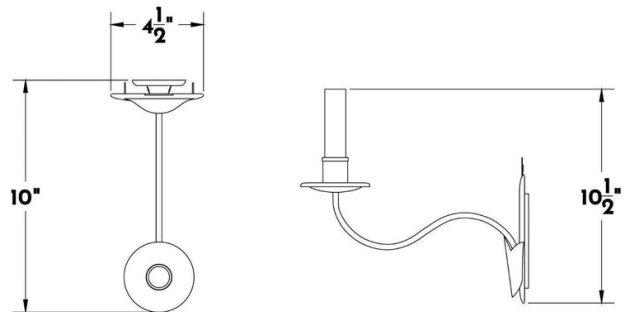
2" x 3" Vertical junction box

OPTIONS

Download our Finish Guide to view standard product options.

LED bulb (maximum 6 watts) recommended with optional wax sleeves.

Contact us to learn more about customization options.



AVAILABLE FINISHES

\$850 Aged Tin