



REMAINS LIGHTING COMPANY

SOLEIL TWIN SCONCE

REMAINS LIGHTING CO. COLLECTION

A single-light solid brass sconce with crisp rib and flute detail on the oval backplate, s-curve arm, candle cup and waxpan. This elegant fixture is painstakingly constructed of cast and tooled brass.

DIMENSIONS

Overall: 10" h. x 10-1/2" w. x 7" d.

Backplate: 8" h. x 4-1/4" w.

APPLICATION

UL listed for use in dry environments

LAMPING

2 candelabra sockets, maximum 60 watts per socket

Also available with 2 GU24 sockets

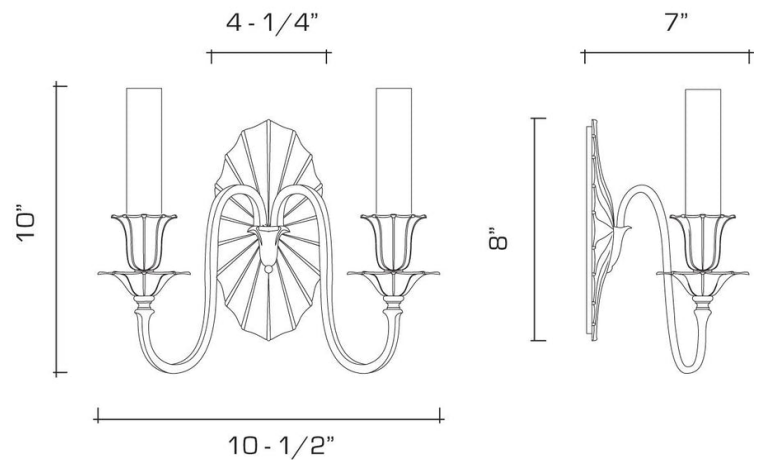
B10 Candelabra torpedo bulb recommended

JUNCTION BOX

2" x 3" vertical junction box recommended

OPTIONS

Contact us to learn more about customization options.



AVAILABLE FINISHES

\$2675 Polished Brass

\$2935 Burnished Nickel, Dark Waxed Bronze, Polished Nickel

\$3125 Antique Brass, Burnished Brass, Dark Pewter, German Silver, Light Pewter, Oil Rubbed Bronze, Satin Nickel