

SHIP'S CABIN CHANDELIER

SCOFIELD LIGHTING COLLECTION

An eight arm tin chandelier with cylindrical body, which originally would have been weighted with sand to prevent pitching from side to side in rolling seas and mounted in a ship's cabin. Designed and manufactured by Scofield Lighting.

DIMENSIONS

Minimum height: 19-1/2"
Overall: 26-1/2" diameter
Height to loop: 12-1/2"
Canopy: 1" h. x 5" diameter

APPLICATION

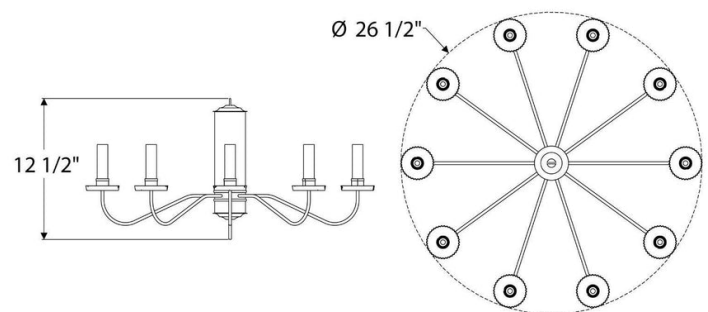
UL listed for use in dry or damp environments.

LAMPING

8 Candelabra sockets
B10 Candelabra torpedo bulb recommended

OPTIONS

Download our Finish Guide to view standard product options.
Custom heights available.
Contact us to learn more about customization options.



AVAILABLE FINISHES

\$3435 Aged Tin