



REMAINS LIGHTING COMPANY

PHILIP TAPERED LANTERN

REMAINS LIGHTING CO. COLLECTION

A four-sided dome topped solid bronze and glass lantern with crisp cove-and-point details, its panels joined with the most sophisticated jewelry techniques possible. Inspired by an early 19th-century English mirror design.

DIMENSIONS

Minimum height (with one link of chain): 31-1/4"

Overall: 14" w. x 14" d.

Height to loop: 26-1/8"

APPLICATION

UL listed for use in dry, damp, or wet environments.

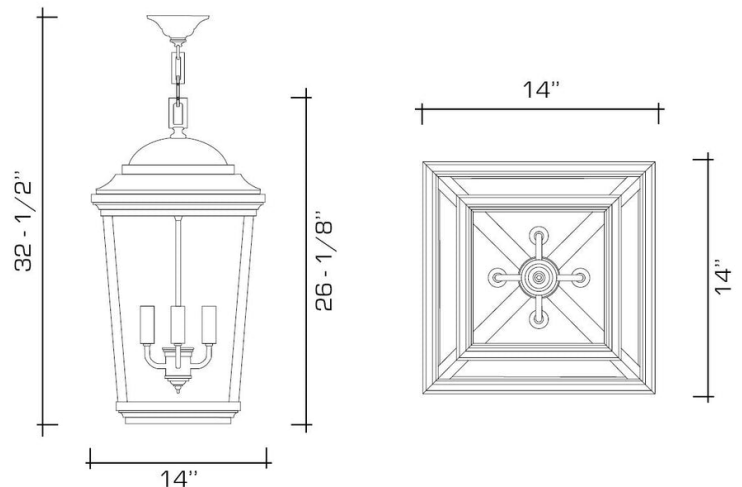
LAMPING

4 Candelabra sockets, maximum 60 watts per socket

OPTIONS

Custom heights available.

Contact us to learn more about customization options.



AVAILABLE FINISHES

\$7285 Polished Brass

\$7975 Burnished Brass, Burnished Nickel, Dark Waxed Bronze, Polished Nickel

\$8210 Antique Brass, Dark Pewter, German Silver, Light Pewter, Oil Rubbed Bronze, Satin Nickel