

PEWTER REFLECTOR WALL SCONCE

SCOFIELD LIGHTING COLLECTION

A single light tin wall sconce with embossed pewter backplate, originally formed by pouring melted pewter over cut and polished glass. Late 18th - early 19th century. Designed and manufactured by Scofield Lighting.

DIMENSIONS

Overall: 17-3/4" h. x 4-1/2" w. x 4" d.

APPLICATION

UL listed for use in dry or damp environments.

LAMPING

Single Candelabra socket, maximum 60 watts

JUNCTION BOX

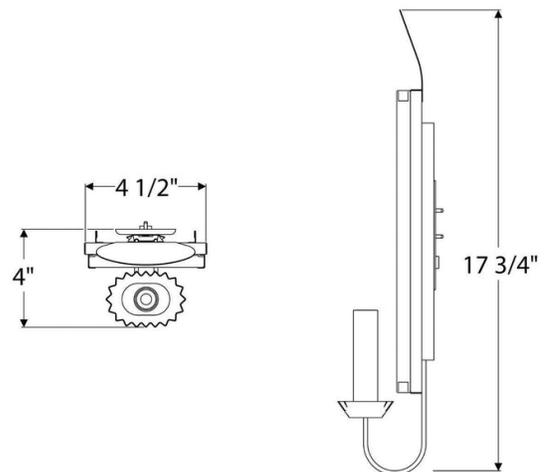
2" x 3" Vertical junction box

OPTIONS

Download our Finish Guide to view standard product options.

LED bulb (maximum 6 watts) recommended with optional wax sleeves.

Contact us to learn more about customization options.



AVAILABLE FINISHES

\$1515 Aged Tin