

**NEW ENGLAND BARN EXTERIOR
WALL LANTERN SMALL**

SCOFIELD LIGHTING COLLECTION

A rectangular exterior copper wall lantern with curved top inspired by Richard Scofield's reproductions of museum pieces drawn from 18th century New England. Designed and manufactured by Scofield Lighting.

DIMENSIONS

Overall: 12-1/4" h. x 6-1/4" w. x 5-1/4" d.

APPLICATION

UL listed for use in dry, damp, or wet environments.

LAMPING

Single Edison socket, maximum 100 watts
Also available with single Candelabra socket

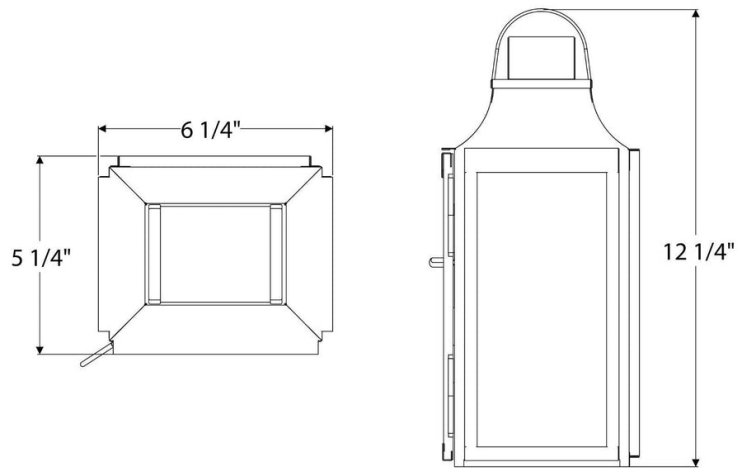
JUNCTION BOX

2" x 3" Vertical junction box

OPTIONS

Download our Finish Guide to view standard product options.

Contact us to learn more about customization options.



AVAILABLE FINISHES

\$1740 Natural Copper

\$1965 Black Lacquer, Bronze Lacquer, Bronzed Copper

\$2080 Brushed Bronzed Copper, Oxidized Copper