

**NEW ENGLAND BARN EXTERIOR
WALL LANTERN LARGE**

SCOFIELD LIGHTING COLLECTION

A rectangular exterior copper wall lantern with curved top inspired by Richard Scofield's reproductions of museum pieces drawn from 18th century New England. Designed and manufactured by Scofield Lighting.

DIMENSIONS

Overall: 20-1/4" h. x 11" w. x 9" d.

APPLICATION

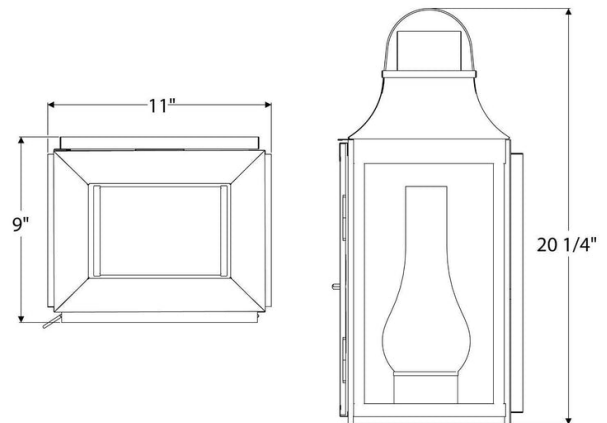
UL listed for use in dry, damp, or wet environments.

LAMPING

Single Edison socket, maximum 100 watts
Also available with 2 Candelabra sockets

OPTIONS

Download our Finish Guide to view standard product options.
Candelabra cluster lamping available.
Alternate reflector options available.
Contact us to learn more about customization options.



AVAILABLE FINISHES

\$2080 Natural Copper

\$2290 Black Lacquer, Bronze Lacquer, Bronzed Copper

\$2465 Brushed Bronzed Copper, Oxidized Copper