



REMAINS LIGHTING COMPANY

## NEW ENGLAND BARN EXTERIOR POST LANTERN MEDIUM

### SCOFIELD LIGHTING COLLECTION

A four sided exterior copper post lantern with curved top inspired by Richard Scofield’s reproductions of museum pieces drawn from 18th century New England to be mounted on an existing post. Pier mounts are also available. Designed and manufactured by Scofield Lighting.

### DIMENSIONS

Overall: 23-1/2" h. x 8-1/2" w. x 8-1/2" d.

### APPLICATION

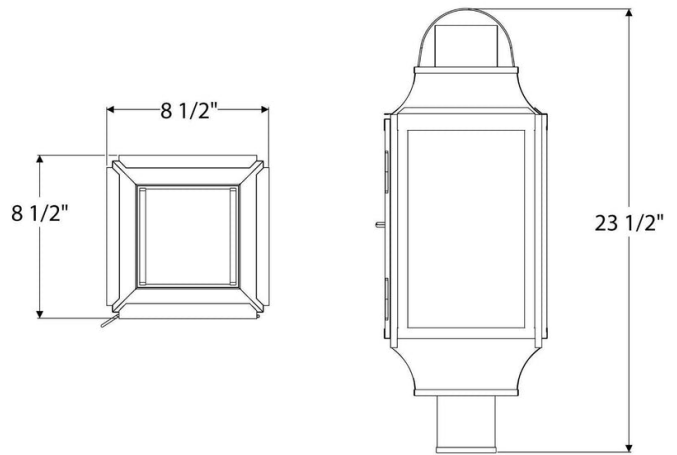
UL listed for use in dry, damp, or wet environments.

### LAMPING

Single Edison socket, maximum 100 watts  
Also available with 3 Candelabra sockets  
B11 Edison torpedo bulb recommended

### OPTIONS

Download our Finish Guide to view standard product options.  
Candelabra cluster lamping available.  
Contact us to learn more about customization options.



### AVAILABLE FINISHES

- \$2230 Natural Copper
- \$2310 Black Lacquer, Bronze Lacquer, Bronzed Copper
- \$2470 Brushed Bronzed Copper, Oxidized Copper