



REMAINS LIGHTING COMPANY

MERCURY LANTERN

ROBERT A. M. STERN ARCHITECTS COLLECTION

The traditional foursquare hall lantern, rendered here in a few simple gestures of solid brass bars and suspended glass panes.

DIMENSIONS

Minimum height (with hangstraight): 19"

Minimum height (with one link of chain): 23-3/4"

Overall: 12" w. x 12" d.

Body: 16-3/4" h.

Canopy: 1-1/2" h. x 6" diameter

APPLICATION

UL listed for use in dry environments

LAMPING

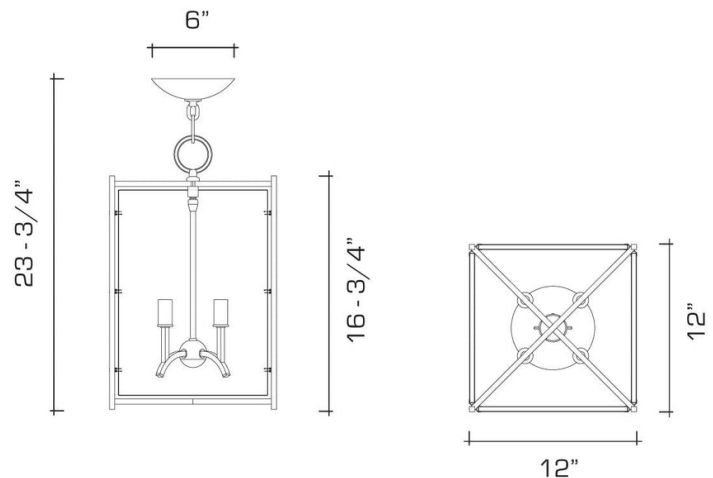
4 Candelabra sockets, maximum 60 watts per socket

T6 Candelabra tube bulb recommended

OPTIONS

Custom heights available.

Contact us to learn more about customization options.



AVAILABLE FINISHES

\$6025 Polished Brass

\$6370 Burnished Brass, Burnished Nickel, Dark Waxed Bronze, Polished Nickel

\$6675 Antique Brass, Dark Pewter, German Silver, Light Pewter, Oil Rubbed Bronze, Satin Nickel