



REMAINS LIGHTING COMPANY

MERCER 14 EXTERIOR LANTERN

REMAINS LIGHTING CO. COLLECTION

A tapered four-sided solid brass and glass hanging lantern with arch-detailed panels and clean expressed joinery. Inspired by stable windows seen in the Pennsylvania countryside.

DIMENSIONS

Minimum height (with one link of chain): 20"
Body: 14" h. x 9-1/4" w. x 9-1/4" d.

APPLICATION

UL listed for use in dry, damp, or wet environments.

LAMPING

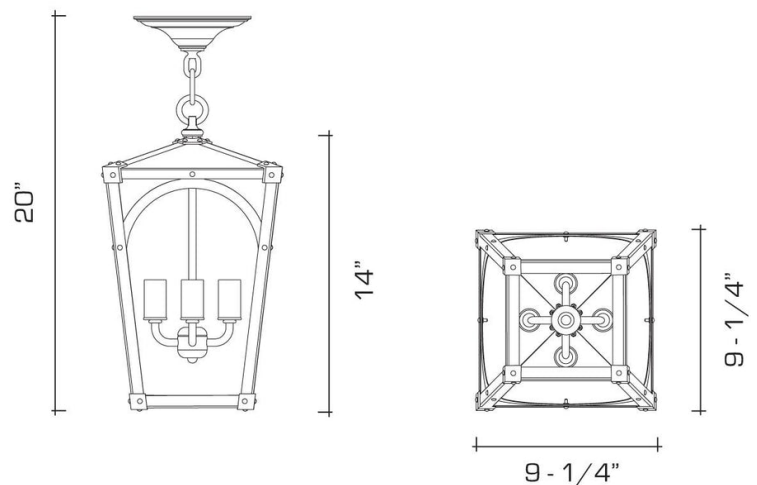
4 Candelabra sockets, maximum 60 watts per socket

Also available with single Edison or GU24 socket (frosted glass recommended)

B10 Candelabra torpedo bulb recommended

OPTIONS

Optional bottom door and custom heights available. Contact us to learn more about customization options.



AVAILABLE FINISHES

\$4850 Polished Brass

\$5375 Burnished Brass, Burnished Nickel, Dark Waxed Bronze, Polished Nickel

\$5750 Antique Brass, Dark Pewter, Light Pewter, Oil Rubbed Bronze, Satin Nickel, Verdigris