



REMAINS LIGHTING COMPANY

MARION MIRROR

REMAINS LIGHTING CO. COLLECTION

This solid bronze mirror frame features a broad step and round-over profile and precisely mitered corners held with fitted oval-head screws. The mirror itself has a crisp polished edge and the cast brass corner supports set the frame off the wall, creating a dramatic shadow line. Can be installed vertically or horizontally.

DIMENSIONS

Overall: 28-1/8" h. x 22-1/8" w. x 7/8" d.

Mounting Type: D rings

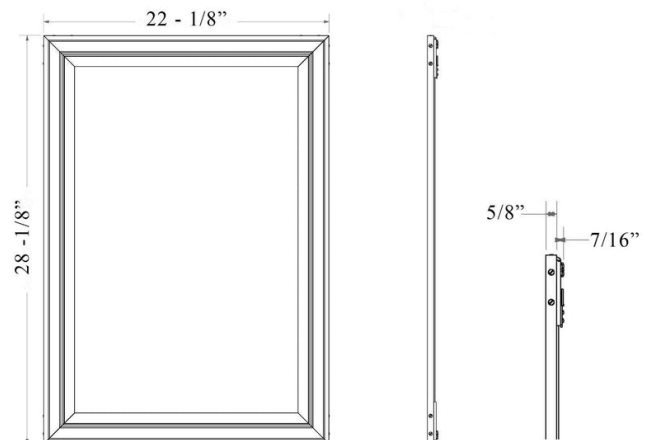
OPTIONS

Additional standard sizes:

34-1/8" h. 24-1/8" w. x 5/8" d.

40-1/8" h. 28-1/8" w. x 5/8" d.

Custom sizes available. Contact us to learn more about customization options.



AVAILABLE FINISHES

\$4550 Polished Bronze

\$5060 Burnished Bronze, Burnished Nickel, Dark Waxed Bronze, Polished Nickel

\$5320 Antique Bronze, Dark Pewter, German Silver, Light Pewter, Oil Rubbed Bronze, Satin Nickel