



REMAINS LIGHTING COMPANY

HERON LANTERN

REMAINS LIGHTING CO. COLLECTION

A clean, sharply detailed solid brass rectangular lantern glazed with clear, fluted glass panels. Heron is a modern distillation of the traditional English foursquare hall lantern.

DIMENSIONS

Minimum height: 23"

Overall: 10" w. x 10" d.

Height to loop: 17-1/2"

Body: 14-1/4" h. x 10" w. x 10" d.

APPLICATION

UL listed for use in dry environments

LAMPING

4 Candelabra sockets, maximum 60 watts per socket

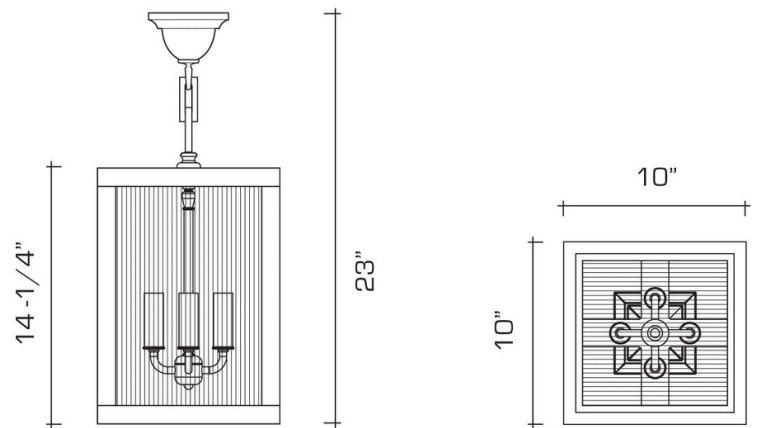
Also available with single Edison or GU24 socket (frosted glass recommended)

B10 Candelabra torpedo bulb recommended

OPTIONS

Custom heights available.

Contact us to learn more about customization options.



AVAILABLE FINISHES

\$5635 Polished Brass

\$6435 Burnished Brass, Burnished Nickel, Dark Waxed Bronze, Polished Nickel

\$6660 Antique Brass, Dark Pewter, German Silver, Light Pewter, Oil Rubbed Bronze, Satin Nickel