



REMAINS LIGHTING COMPANY

HERON EXTERIOR WALL LANTERN

REMAINS LIGHTING CO. COLLECTION

A clean, sharply detailed solid brass rectangular wall lantern glazed with clear, fluted glass panels. Heron is a modern distillation of the traditional English foursquare hall lantern.

DIMENSIONS

Overall: 23-5/8" h. x 10" w. x 15-1/2" d.

Backplate: 12" h. x 4" w.

Body: 14" h. x 10" w. x 10" d.

APPLICATION

UL listed for use in dry, damp, or wet environments.

LAMPING

4 candelabra sockets, maximum 60 watts per socket

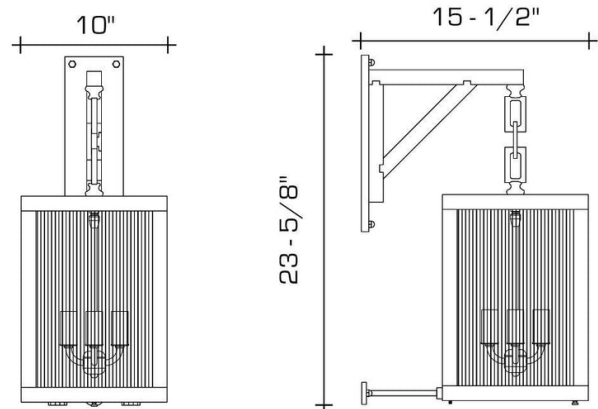
Also available with single Edison or GU24 socket

B10 Candelabra torpedo bulb recommended

OPTIONS

Optional bottom door also available.

Contact us to learn more about customization options.



AVAILABLE FINISHES

\$8825 Polished Brass

\$9455 Burnished Brass, Burnished Nickel, Dark Waxed Bronze, Polished Nickel

\$9835 Antique Brass, Dark Pewter, German Silver, Light Pewter, Oil Rubbed Bronze, Satin Nickel, Verdigris