



# REMAINS LIGHTING COMPANY

## GLOBE FLUSH MOUNT

### COMMUNE COLLECTION

This flush mount is comprised of a solid brass ribbed neck and a hand-blown white glass globe. Inspired by the works of Honsel, Lauritzen, and Weisdorf and the simplified forms found during the Functionalist design movement.

### DIMENSIONS

Overall: 9-5/8" h. x 8" diameter

Backplate: 6" diameter

### APPLICATION

UL listed for use in dry or damp environments.

### LAMPING

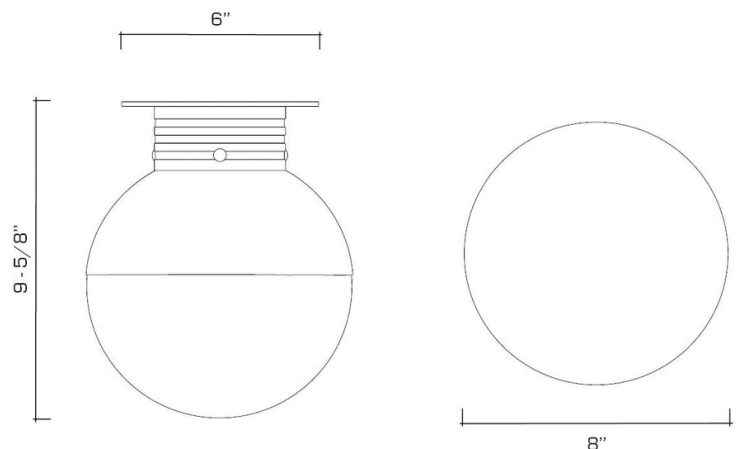
Single Edison socket, maximum 100 watts

G16 Edison globe bulb recommended

### OPTIONS

Additional finishes available upon request.

Contact us to learn more about customization options.



### AVAILABLE FINISHES

\$1230 Polished Brass

\$1370 Dark Waxed Bronze, Polished Nickel