



REMAINS LIGHTING COMPANY

FRENCH STATION EXTERIOR WALL LANTERN LARGE

SCOFIELD LIGHTING COLLECTION

A rectangular copper wall sconce with curved roof panels. Based on a French railroad station hanging lantern design, 18th century. Designed and manufactured by Scofield Lighting.

DIMENSIONS

Overall: 17-1/2" h. x 12" w. x 9-1/4" d.

APPLICATION

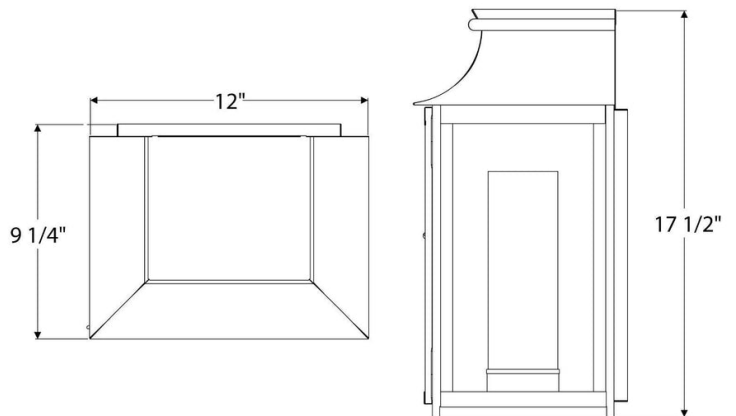
UL listed for use in dry, damp, or wet environments.

LAMPING

Single Edison socket, maximum 100 watts
Also available with 2 Candelabra sockets
B11 Edison torpedo bulb recommended

OPTIONS

Download our Finish Guide to view standard product options.
Candelabra cluster lamping available.
Alternate reflector options available.
Contact us to learn more about customization options.



AVAILABLE FINISHES

- \$2065 Natural Copper
- \$2235 Black Lacquer, Bronze Lacquer, Bronzed Copper
- \$2440 Brushed Bronzed Copper, Oxidized Copper