

**FRENCH STATION EXTERIOR
HANGING LANTERN**

SCOFIELD LIGHTING COLLECTION

A rectangular copper lantern with curved roof panels and central candelabra cluster. Based on a French railroad station hanging lantern design, 18th century. Designed and manufactured by Scofield Lighting.

DIMENSIONS

Minimum height (with one link of chain): 20-3/4"

Minimum height (with hook): 24-1/2"

Overall: 12" w. x 12" d.

Height to loop: 20"

Canopy: 1" h. x 5" diameter

APPLICATION

UL listed for use in dry, damp, or wet environments.

LAMPING

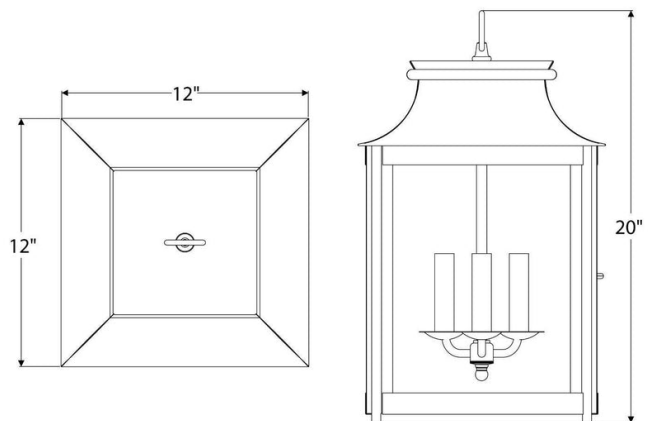
3 Candelabra sockets, maximum 60 watts per socket

OPTIONS

Download our Finish Guide to view standard product options.

Custom heights available.

Contact us to learn more about customization options.



AVAILABLE FINISHES

\$2530 Natural Copper

\$2685 Black Lacquer, Bronze Lacquer, Bronzed Copper

\$2835 Brushed Bronzed Copper, Oxidized Copper