

**EDISON STYLE EXTERIOR WALL
PENDANT LARGE**

SCOFIELD LIGHTING COLLECTION

This classic conical copper shade wall pendant takes inspiration from the original Victorian Edison type fixture of 1880. With the introduction of the first light bulb in 1879, the world's fascination with the source of light took on new heights. Designed and manufactured by Scofield Lighting.

DIMENSIONS

Overall: 22-1/8" h. x 18-1/4" w. x 20-3/4" d.

APPLICATION

UL listed for use in dry, damp, or wet environments.

LAMPING

Single Edison socket, maximum 100 watts
A15 Edison bulb recommended

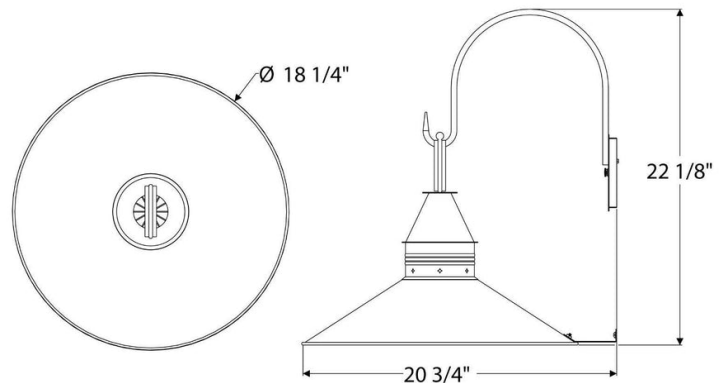
JUNCTION BOX

2" x 3" Vertical junction box

OPTIONS

Download our Finish Guide to view standard product options.

Contact us to learn more about customization options.



AVAILABLE FINISHES

\$1855 Natural Copper

\$1945 Black Lacquer, Bronze Lacquer, Bronzed Copper

\$2135 Brushed Bronzed Copper, Oxidized Copper