



REMAINS LIGHTING COMPANY

COMMUNE CANDLE LANTERN

COMMUNE COLLECTION

A tabletop candle lantern with finely crafted solid brass body and frosted cylinder glass shade. Commune's collection for Remains Lighting is inspired by Viennese Secession, French 1950's and Milanese Modernist designs as seen through a California lens.

DIMENSIONS

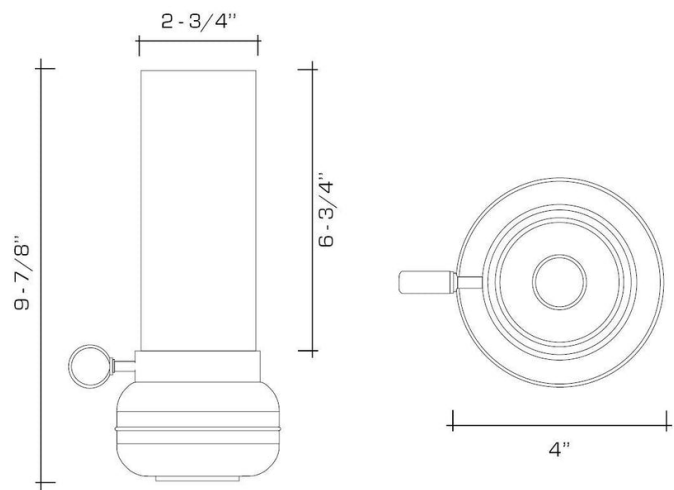
Overall: 9-7/8" h.

Base: 3-1/8" h. x 4" diameter

Glass: 6-3/4" h. x 2-3/4" diameter

OPTIONS

Contact us to learn more about customization options.



AVAILABLE FINISHES

\$920 Polished Brass

\$1070 Dark Waxed Bronze, Polished Nickel