



REMAINS LIGHTING COMPANY

CLEO TWIN SCONCE

REMAINS LIGHTING CO. COLLECTION

A solid brass double-light sconce with convex rectangular backplate and a wide waxpans.

DIMENSIONS

Overall: 8-1/4" h. x 8-3/4" w. x 4-1/4" d.

Backplate: 5" h. x 3-3/4" w.

APPLICATION

UL listed for use in dry environments

LAMPING

2 candelabra sockets, maximum 60 watts per socket

Also available with 2 Edison sockets

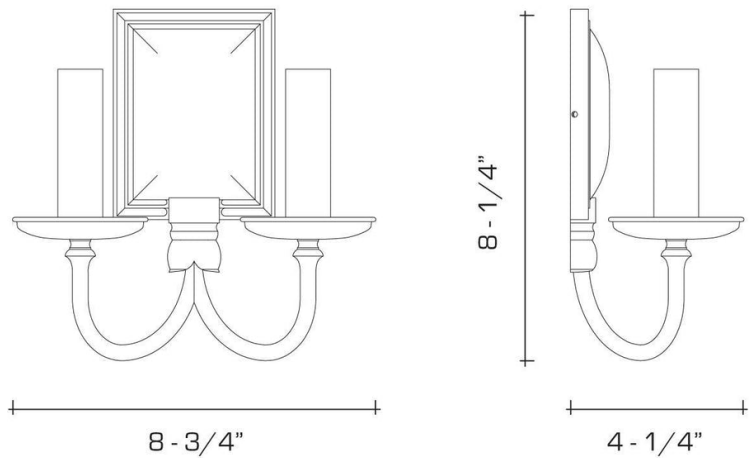
B10 Candelabra torpedo bulb recommended

JUNCTION BOX

2" x 3" vertical junction box recommended

OPTIONS

Contact us to learn more about customization options.



AVAILABLE FINISHES

\$1350 Polished Brass

\$1670 Burnished Nickel, Dark Waxed Bronze, Polished Nickel

\$1740 Antique Brass, Burnished Brass, Dark Pewter, German Silver, Light Pewter, Oil Rubbed Bronze, Satin Nickel