

**CLASSIC EXTERIOR WALL LANTERN
LARGE**

SCOFIELD LIGHTING COLLECTION

This copper four-sided tapered wall lantern with eight panels of glass and conical finial cap is inspired by an American street lantern, 18th century. Designed and manufactured by Scofield Lighting.

DIMENSIONS

Overall: 29" h. x 14" w. x 18" d.

APPLICATION

UL listed for use in dry, damp, or wet environments.

LAMPING

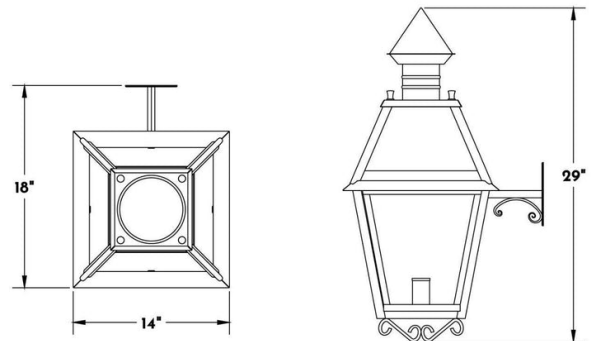
Single Edison socket, maximum 100 watts
Also available with 3 Candelabra sockets
B11 Edison bulb recommended

JUNCTION BOX

2" x 3" Vertical junction box

OPTIONS

Download our Finish Guide to view standard product options.
Candelabra cluster lamping available.
Contact us to learn more about customization options.



AVAILABLE FINISHES

\$2830 Natural Copper

\$3020 Black Lacquer, Bronze Lacquer, Bronzed Copper

\$3190 Brushed Bronzed Copper, Oxidized Copper