



REMAINS LIGHTING COMPANY

CAN EXTERIOR WALL DOWNLIGHT

COMMUNE COLLECTION

A solid brass exterior sconce handcrafted to order in solid heavy, brass, with a simple cylindrical body, connected to a coped round arm and backplate with slotted countersunk screws.

DIMENSIONS

Overall: 10" h. x 5" w. x 7-1/8" d.

Backplate: 5" diameter

Shade: 4" diameter

APPLICATION

UL listed for use in dry, damp, or wet environments.

LAMPING

Single Edison socket, maximum 100 watts

Also available with GU24 sockets

A19 Edison bulb recommended

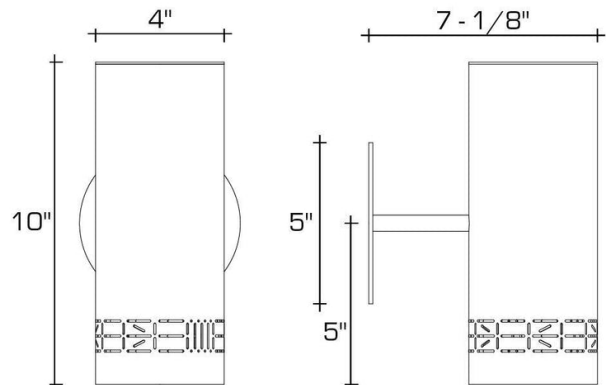
JUNCTION BOX

4" x 4" junction box recommended

OPTIONS

Additional finishes available upon request.

Contact us to learn more about customization options.



AVAILABLE FINISHES

\$1360 Polished Brass

\$1515 Dark Waxed Bronze, Polished Nickel