



REMAINS LIGHTING COMPANY

CAN DOWNLIGHT

COMMUNE COLLECTION

A cylindrical pendant light handcrafted to order in solid brass, suspended from a flat ceiling canopy by an adjustable black fabric cord. Specify a solid rim, or opt for Commune's signature "slash" pierced pattern.

DIMENSIONS

Minimum height: 12-1/2"

Shade: 8-1/16" h. x 4" diameter

Canopy: 1/8" h. x 5" diameter

APPLICATION

UL listed for use in dry or damp environments.

LAMPING

Single Edison socket, maximum 100 watts

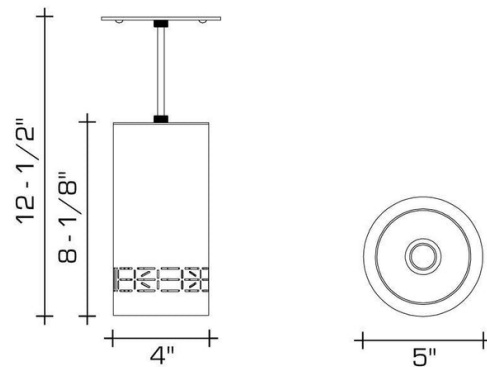
Also available with GU24 sockets

A19 Edison bulb recommended

OPTIONS

This fixture is Ketra Ready. Custom heights and additional finishes available upon request.

Contact us to learn more about customization options.



AVAILABLE FINISHES

\$920 Polished Brass

\$1020 Dark Waxed Bronze, Polished Nickel