

**BOSTON EXTERIOR WALL LANTERN
SMALL**

SCOFIELD LIGHTING COLLECTION

This copper four-sided tapered wall lantern with eight panels of glass and conical finial cap is inspired by Boston street lighting typical to late 18th - early 19th century. Designed and manufactured by Scofield Lighting.

DIMENSIONS

Overall: 27" h. x 12" w. x 16" d.

APPLICATION

UL listed for use in dry, damp, or wet environments.

LAMPING

Single Edison socket, maximum 100 watts
Also available with single Candelabra socket
B11 Edison bulb recommended

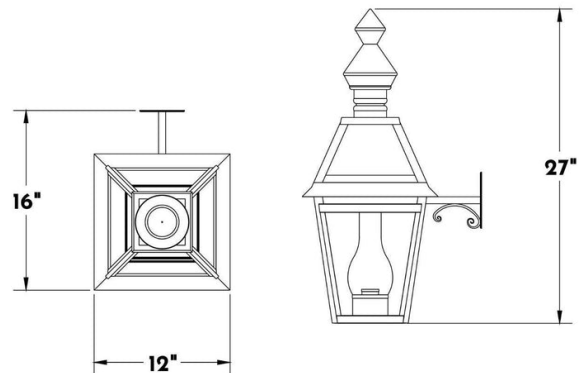
JUNCTION BOX

2" x 3" Vertical junction box

OPTIONS

Download our Finish Guide to view standard product options.

Contact us to learn more about customization options.



AVAILABLE FINISHES

\$2920 Natural Copper

\$3080 Black Lacquer, Bronze Lacquer, Bronzed Copper

\$3245 Brushed Bronzed Copper, Oxidized Copper