



# REMAINS LIGHTING COMPANY

## ANCRAM TABLE LAMP

### ALAN WANZENBERG COLLECTION

This tall rectangular table light by Alan Wanzenberg for Remains Lighting has a unique hand-worked surface reminiscent of a weathered barn or a sand washed piece of drift wood. The washed and brushed finish adds a sophisticated note to this primitive elemental shape. Shade not included.

### DIMENSIONS

Overall: 30-3/8" h.

Base: 6-1/2" w. x 4-3/4" d.

Body: 15-3/8" h. x 6-1/2" w. x 4-1/2" d.

### APPLICATION

UL listed for use in dry environments

### LAMPING

2 Edison sockets, maximum 60 watts per socket

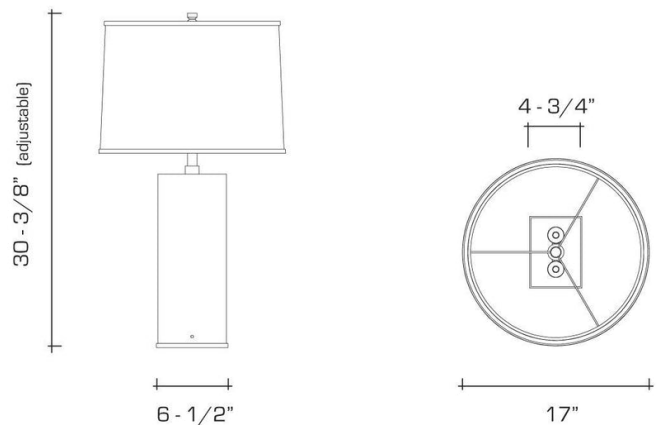
A19 Edison bulb recommended

### OPTIONS

Contact us to learn more about customization options.



LINEN SHADE OPTION



### AVAILABLE FINISHES

\$3755 Dark Waxed Bronze